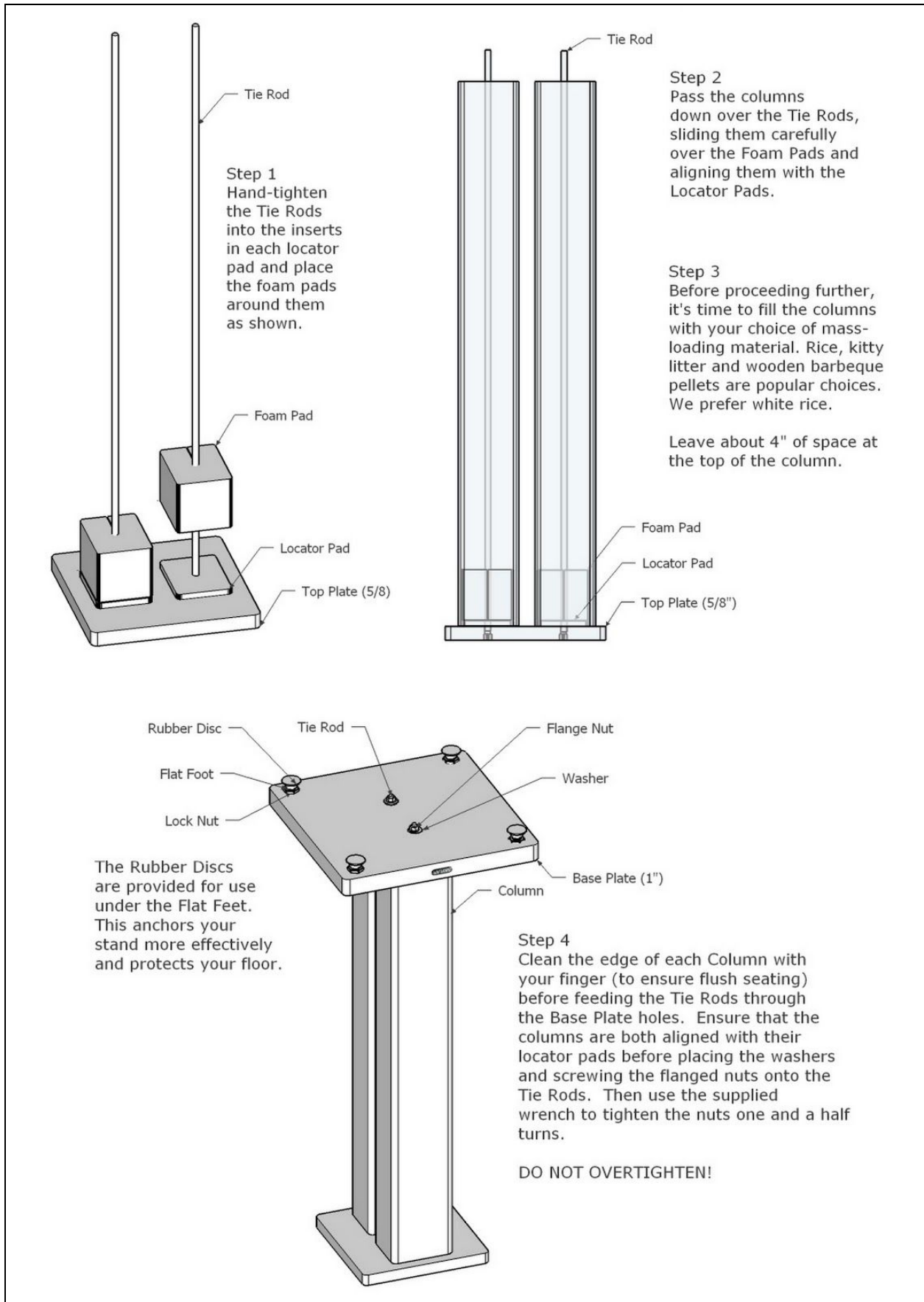
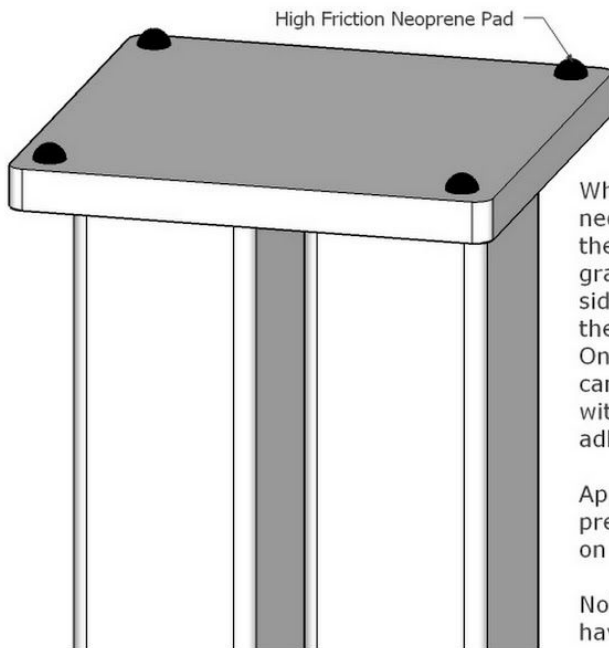
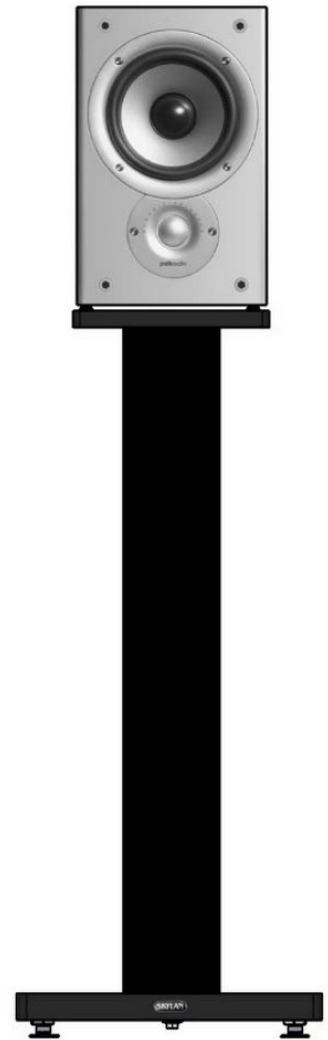
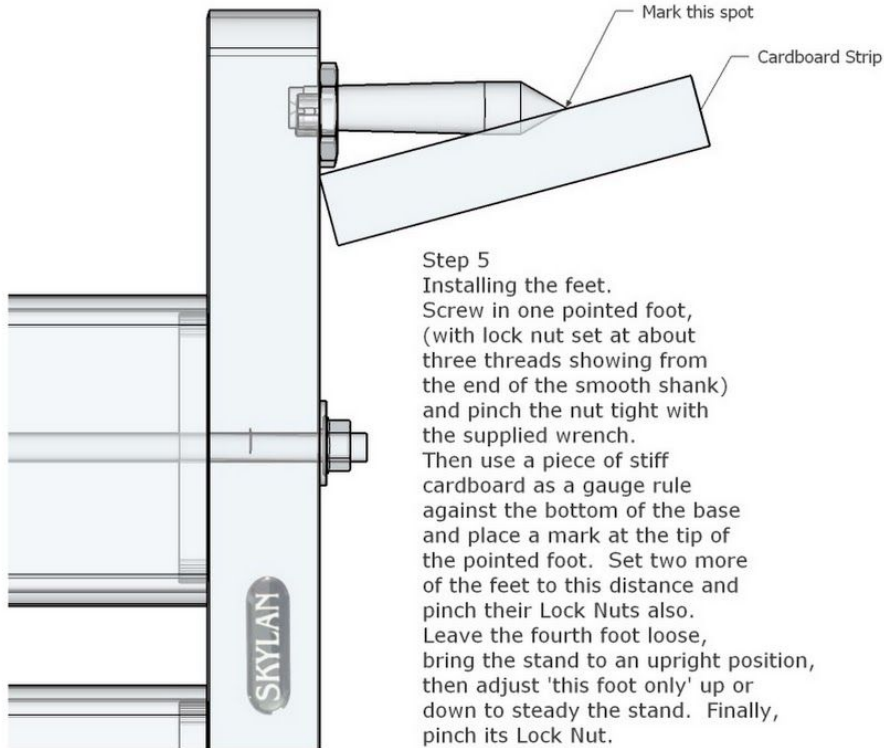


Note: Assembly is in the upside-down position



Prevent damage to your hardwood floor by installing the Flat Feet BEFORE placing the stand
 All Threads are 1/4"-20-NC



When removing these neoprene pads from their backing paper, grasp them on the sides without touching the adhesive.
 Once in place they cannot be repositioned without ruining the adhesive backing.

Apply them, as required, pressing firmly into place on the application surface.

Note: Some models will have pads already fitted.